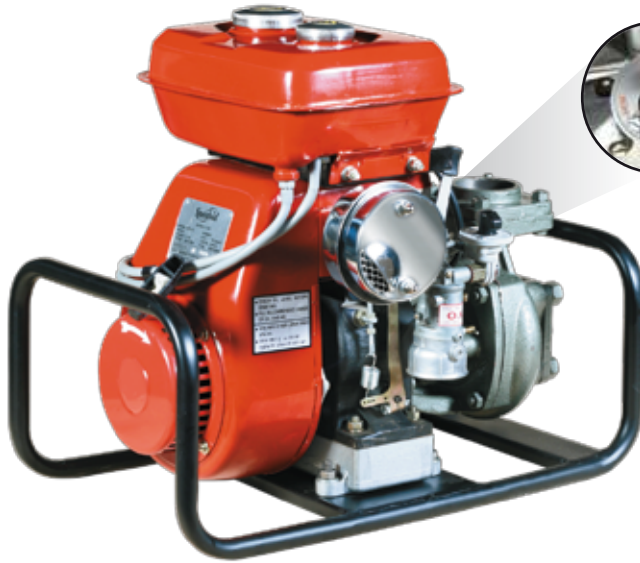




Speedwel®

1.5 and 3.0 HP Petrol / Diesel Light Weight, 4 Stroke Spark Ignition Multi Purpose Engine



IS : 6595

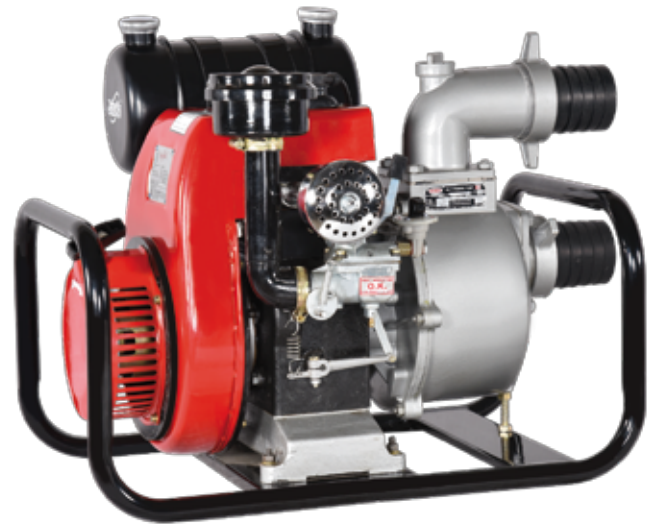


For CF Pump

IS : 7347



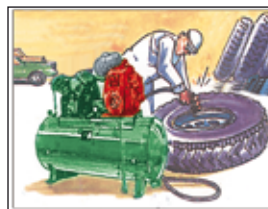
For Engine



Coupling Type



Adapter Type



GUJARAT FORGINGS PRIVATE LIMITED

An ISO Certified Company

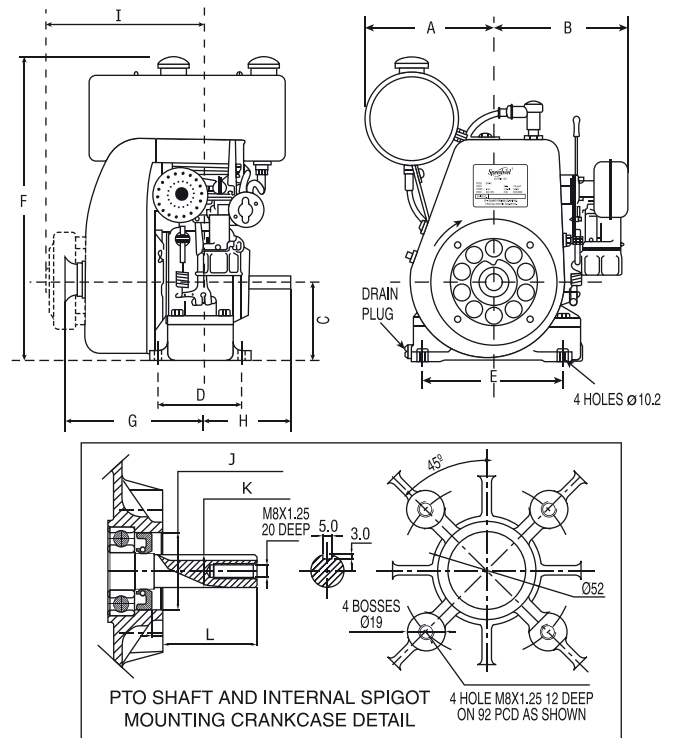
Rajkot - 360003. (INDIA)

www.speedwel.com

ENGINE TECHNICAL SPECIFICATIONS

MODEL		GFD-12	GFD-25
TYPE :- 4-Stroke, Side Valves, Single Cylinder, Air Cooled, Horizontal Shaft, Constant Speed, Spark Ignition Engine.			
Bore	mm	55	70
Stroke	mm	50	66.7
Displacement	cc	118	256
Fuel		Petrol start diesel run	Petrol start diesel run
Fuel Tank Capacity (Lit.)			
Round Fuel Tank - Petrol		0.5	1.00
Diesel		2.25	3.50
Square Fuel Tank - Petrol		0.4	-
Diesel		3.0	-
Maximum Output as per IS : 7347	KW HP	1.1 1.5	2.2 3.0
SFC g/kW/h		700	600
Continuous Output - RPM		3000	3000
PTO Shaft Rotation (facing PTO shaft)		Anti-clockwise	Anti-clockwise
Ignition System		Electronic	Electronic
Oil Capacity		570 ml	1100 ml
Starting System		Rope start (Recoil start optional)	Rope start (Recoil start optional)
Spark Plug Type (MICO)		M45 Z8 (M18)	M45 Z8 (M18)
Lub. Oil		SAE 20W 40	SAE 20W 40
Dry Weight		17 Kg.	28.5 kg.

ENGINE DIMENSIONS



Engine Model	A	B	C	D	E	F	G	H	I	J	K	L
GFD-12	180	205	99	114	191	400	185	112	245	ø41.25 ø41.27	ø17.46 ø17.45	50
GFD-25	255	315	140	140	260	495	208	136	255	ø42	ø24.960 ø24.975	55

ENGINE APPLICATIONS

Centrifugal Pump set, Generating Set (up to 2000 VA), Concrete (Needle) Vibrators, Self Priming Pumps, High Tree Power Sprayers, Air Compressors, Reaper, Power Trowel, Lawn Mower, Sugar Cane Crusher & many more.



Coupling Type



Adapter Type



PUMP SET SPECIFICATIONS

SR. NO.	MODEL TYPE	PUMP SIZE	ENGINE TYPE	DISCHARGE IN LPM	TOTAL HEAD IN METERS									
					6	9	11	12	14	15	17	18	21	
MONO BLOCK PUMPS														
1.	GFD-12 EMB6	50x40	GFD-12	500	455	407	362	262						
2.	GFD-12 EMB7	50x50	GFD-12	515	470	425	345							
3.	GFD-12 EMB14	50x40	GFD-12	-	-	-	347	305	284	242	210	126		
4.	GFD-25 EMB10	65x50	GFD-25	-	-	790	730	670	600	490	300	-		
5.	GFD-25 EMB11	75x65	GFD-25	-	970	910	870	690	400					
6.	GFD-25 EMB12	75x75	GFD-25	1133	1001	880	805	621						
SELF PRIMING PUMPS														
1.	GFD-12 SP-50	50x50	GFD-12	363	297	270	259	220	209	165	143	55		
2.	GFD-25 SP-80	75x75	GFD-25	970	865	759	739	548	452	317	131			

* Note
Total Head
includes
Suction
6 meter

As per Company policy of continuous improvement, the specification given above are subject to change without notice.