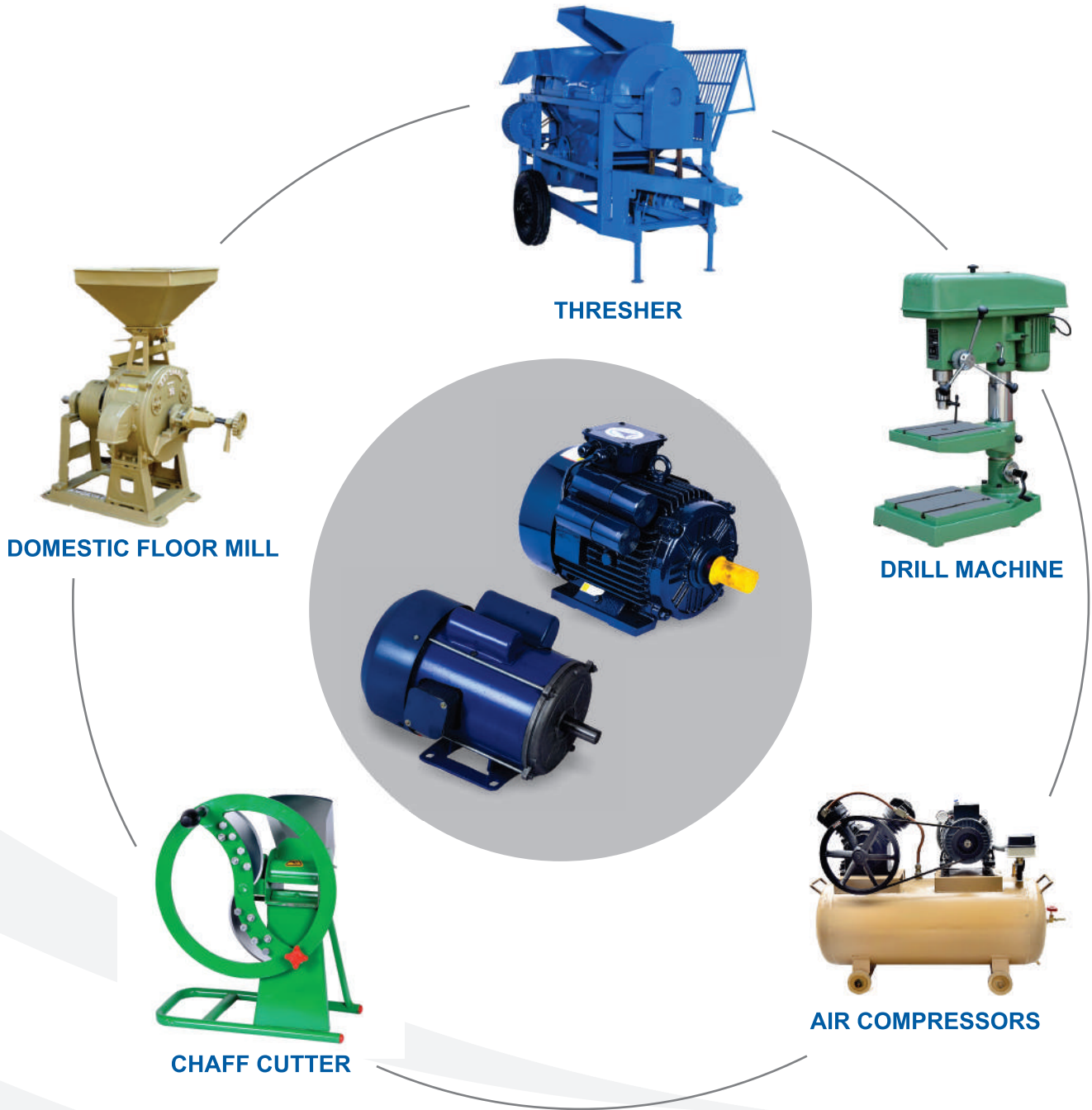


Speedwel[®]

**SINGLE
PHASE
INDUCTION
MOTOR**





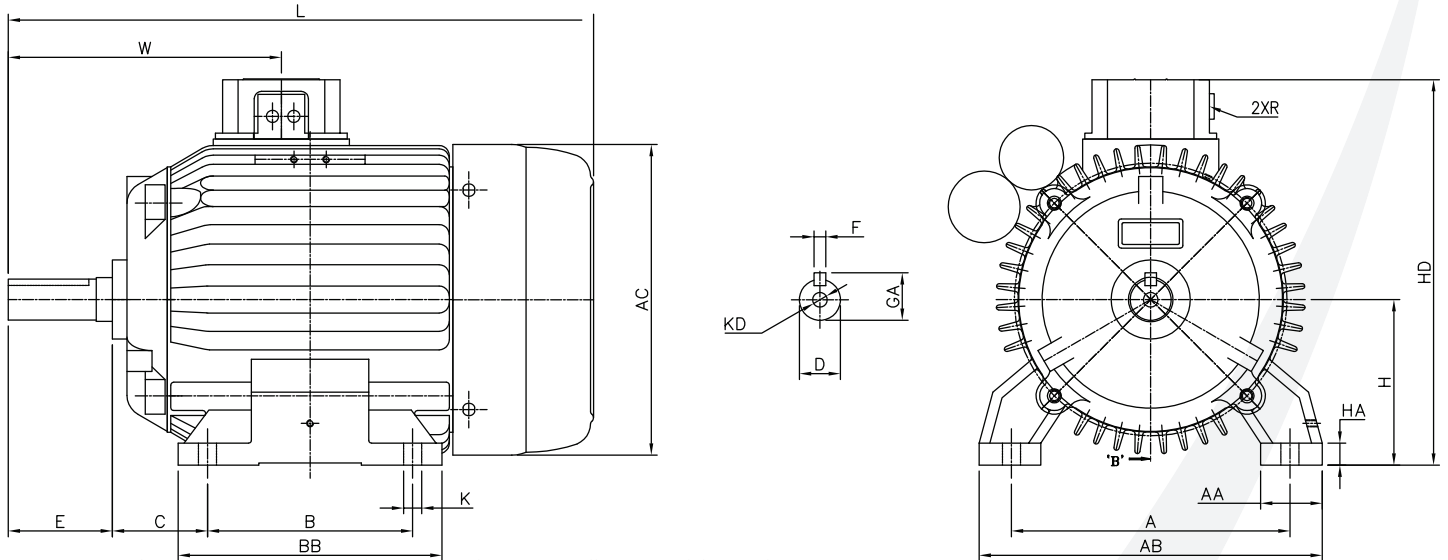
Cast Iron Frame motor are most popular general purpose motors in Asia. The robust, highly reliable designs are suitable for operation for a wide range of applications such as Coupled Pump, Pulveriser, Rice Huller, Garage Compressor, Thresher, Floor Polisher. These motor are can run for years without any trouble.

The highly efficient double capacitor designs in this series are suitable for any application requiring high starting torques are suitable for almost any application requiring higher starting torques such as Atta Chakki, Domestic Flour Mill, Tower Hoist, Air Compressor, Thresher.

Salient Features

- ▶ High Starting Torque
- ▶ Suitable for wide Voltage
- ▶ ISI Mark available on selected models
- ▶ Motors available in Sheet metal body construction.

Foot Mounting C.I. Body

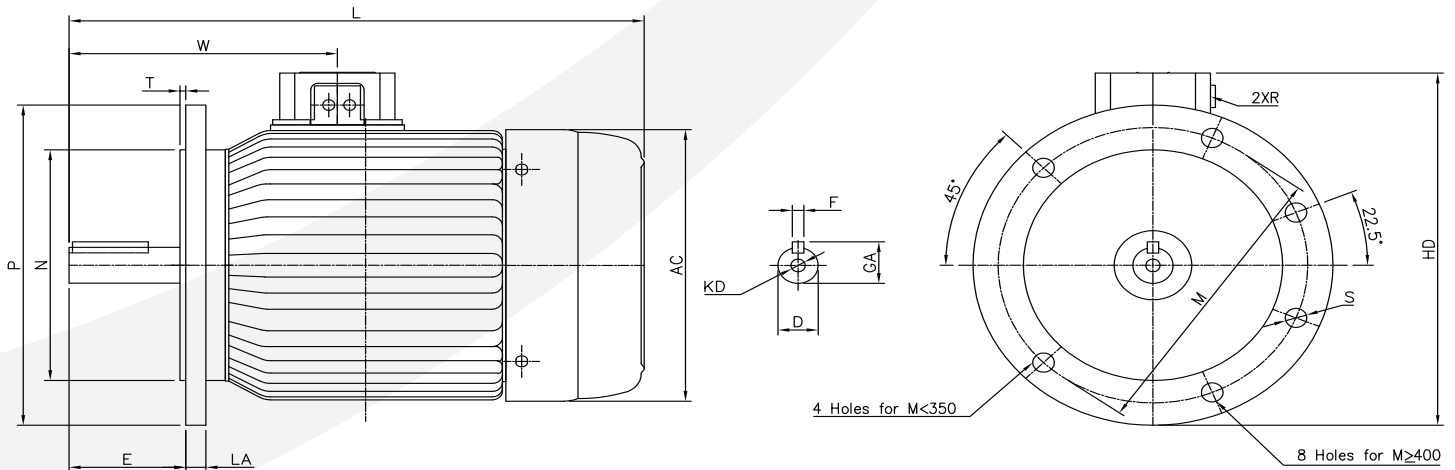


Foot Mounted All Over Dimension For C.I. Body

Frame	Pole	FIXING					GENERAL						T.BOX		SHAFT					
		A	B	C	H	K	AB	BB	AA	HA	HD	L	AC	R	W	D	E	F	GA	KD
GFIM 71	2,4,6	112	90	45	71	7	138	112	30	9	185	234	139	-	98	14	30	5	16	M5
GFIM 80	2,4,6	125	100	50	80	10	160	126	36	10	220	29	159	-	112	19	40	6	21.5	M6
GFIM 90 S	2,4,6	140	100	56	90	10	178	130	36	12	250	32	176	-	130	24	50	8	27	M8
GFIM 90L	2,4,6	140	125	56	90	10	178	155	36	12	250	34	176	-	130	24	50	8	27	M8
GFIM 100L	2,4,6	160	140	63	100	12	200	170	43	15	275	38	196	3/4" BS	138	28	60	8	31	M10
GFIM 112M	2,4,6	190	140	70	112	12	230	180	50	18	300	40	225	3/4" BS	147	28	60	8	31	M10

Flange Mounting C.I. Body

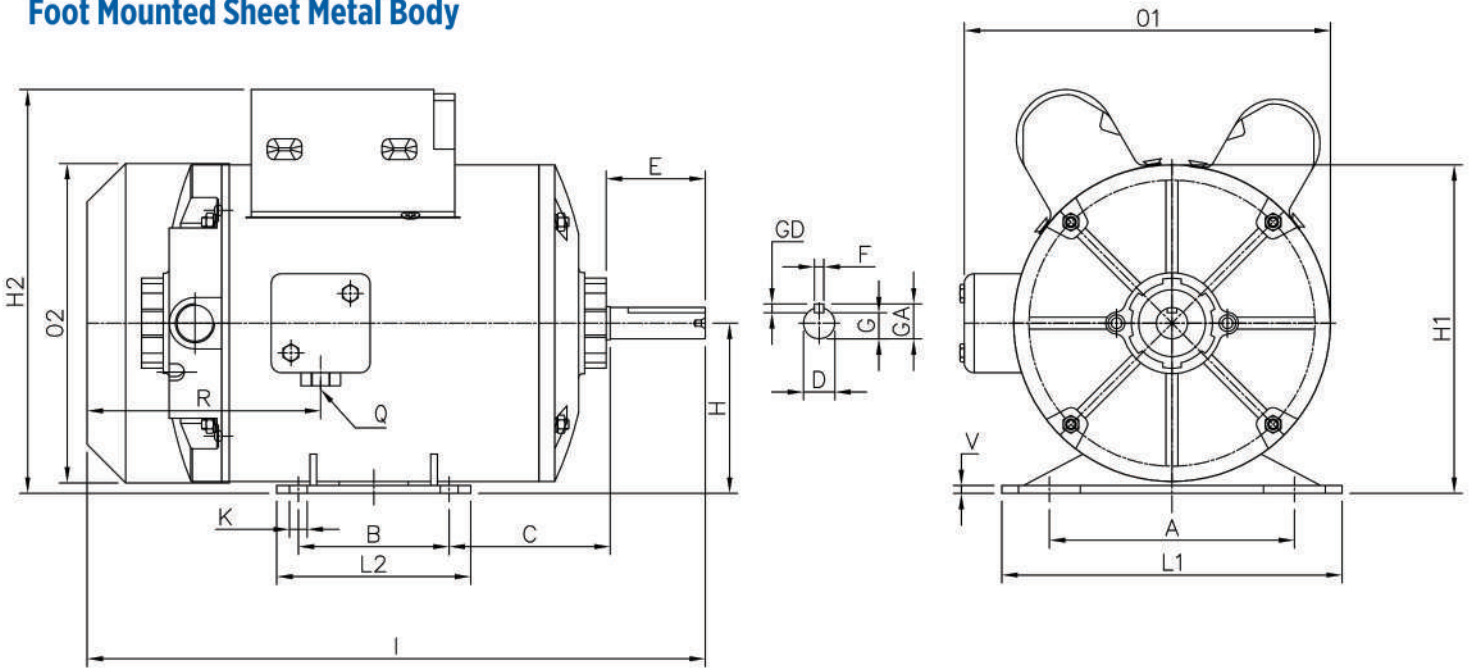
NOTE:- SUBJECT TO CHANGE.



Flange Mounted All Over Dimension For C.I. Body

Frame	Pole	FIXING					GENERAL				T.BOX		SHAFT				
		LA	N	T	M	S	L	P	AC	HD	R	W	D	E	F	GA	KD
GFIM 80	2,4,6	12	130	3.5	165	12	290	200	156	240	M20X1.5	112	19	40	6	21.5	M6
GFIM 90 S	2,4,6	12	130	3.5	165	12	325	200	176	260	M20X1.5	130	24	50	8	27	M8
GFIM 90L	2,4,6	12	130	3.5	165	12	345	200	176	260	M20X1.5	130	24	50	8	27	M8
GFIM 100L	2,4,6	14	180	4	215	15	385	250	196	300	M20X1.5	138	28	60	8	31	M10
GFIM 112M	2,4,6	14	180	4	215	15	405	250	220	310	M20X1.5	147	28	60	8	31	M10

Foot Mounted Sheet Metal Body



Foot Mounted All Over Dimension for Sheet Metal Body

Frame	HP/KW	ENCL	RPM	FIXING					GENERAL									SHAFT						
				A	B	C	H	K	H1	H2	I	L1	L2	O1	O2	Q	R	V	D	E	F	GD	G	GA
GFIM 80	1 / 0.75	TEFC	1400	124	78	70	89	22	180	216	235	171.5	100	154	178	M20X1.5	121	3	16	48	5	5	13	18
GFIM 100S	1.5 / 1.1	TEFC	1400	160	112	63	100	12	205.2	228.5	322	200	140	212	210	M20X1.5	135	4	24	50	8	7	20	27
GFIM 100S	2 / 1.5	TEFC	1400	160	112	63	100	12	205.2	228.5	322	200	140	212	210	M20X1.5	135	4	24	50	8	7	20	27

NOTE:- SUBJECT TO CHANGE.

PERFORMANCE

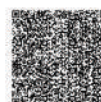
KW	HP	FRAME SIZE	RATED SPEED	RATED CURRENT	LOCKED ROTOR TORQUE IN TERMS OF FLT %	POWER FACTOR			EFFICIENCY %		
						50%	75%	100%	50%	75%	100%
0.37	0.5	80	1360	4.0	200	0.60	0.70	0.90	50	55	60
0.75	1	90S	1380	6.8	200	0.62	0.72	0.90	52	58	68
1.1	1.5	100L	1380	9.4	200	0.65	0.75	0.90	54	60	70
1.5	2	100L	1380	12.5	200	0.67	0.75	0.90	56	62	71
2.2	3	112M	1390	16.5	200	0.68	0.78	0.90	58	63	72
3.7	5	112L	1400	25.0	200	0.70	0.80	0.90	60	64	75

- TEFC - TOTALLY ENCLOSE FAN COOLED

Note: - As per Company Policy of Continuous Improvement,
 - The Specification Given Above are Subject to Change Without Notice.



Manufacturer & Exporter (An ISO 9001:2015 Certified Company)
GUJARAT FORGINGS PVT. LTD.
 Opp. N.S.I.C., 80 Feet Road, Aji Industrial Area, Rajkot - 360 003 (India).
 E-Mail: info@speedwel.com | Web: www.speedwel.com
 Contact : +91 99740 56832 | +91 99740 56831 | Follow us: [f](#) [t](#) [i](#) [y](#) [t](#) @Speedwel



DEALER